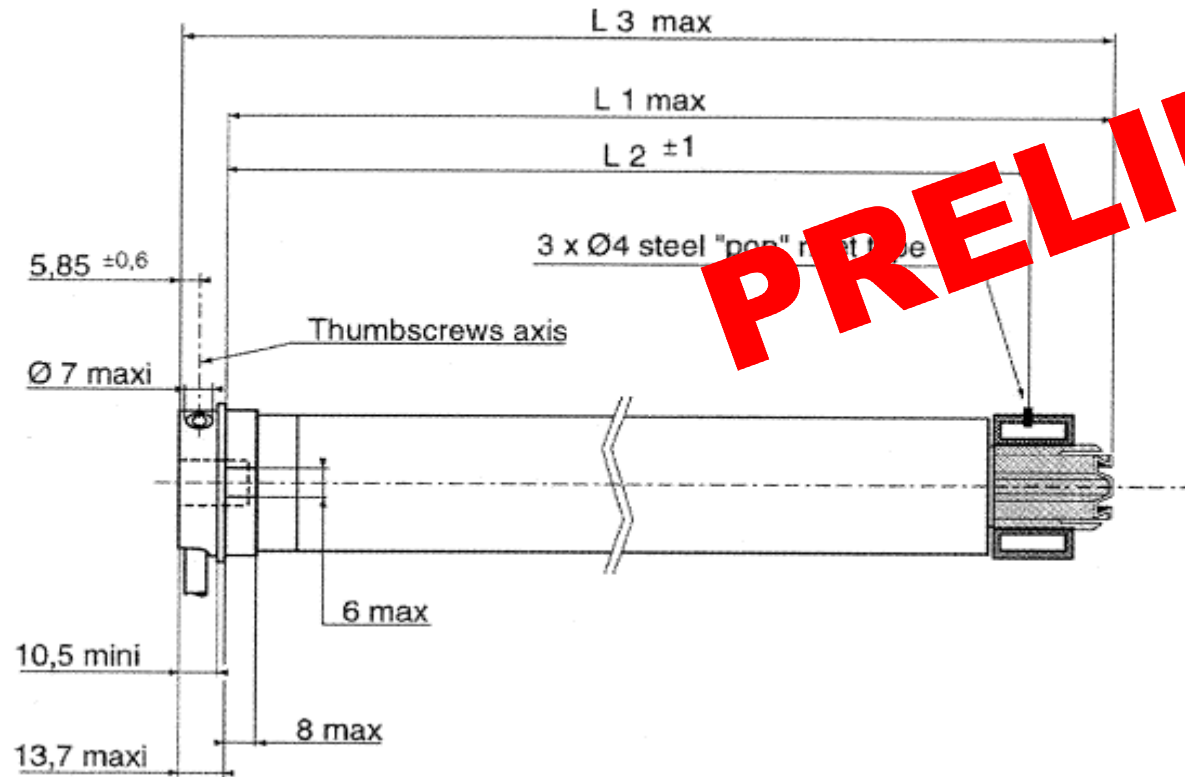


PRELIMINARY

Nominal voltage	230 V - 50 Hz
Power supply tolerances	207- 253V
Thermal time	5 minutes
Number of wires of the cable	3
Wire section	0,75 mm ²
Insulation class	Class II
Type of limit switch unit	Progressive limit switch
Capacity of the LSU	40 turns
Repeatability	± 15°
System of protection	IP44
Interface drawings	Screw implantation for LS40 mounting 147897-Wheel interface LS40 147887-Crown interface LS40 147888-LS40& Altus 40 head interface drawing 147465.
Wheel unclipping force	≈ 7 Kg
Temperature working range	From 0°C to 60°C: 10 000 cycles (1 cycle = 1 up/down movement of 2m height for a blind) Restriction: from 0°C to 10°C 1500 cycles from 35°C to 60°C 3500 cycles
Noise Level	Pressure Level for information only, according to Somfy mesurment at 1m from the end-product Power Level : according to standards ISO 3741 NF 31022 in dB(A) ref 1pW, worst value at nominal Torque in up direction

Designation	Nm	rpm	mm	mm	mm	mm	W	A	kg	dB(A)	dB(A) ref 1pW
	Nominal torque	Nominal speed	L1 max.	L2 (±3 mm)	L3 max.	tube	Rated power	Rated current	Weight	Noise Pressure Level	Noise Power Level
Sonesse 40 3/30	3	30	462	441	478	406	95	0,44	1,125	50	42
Sonesse 40 6/20	6	20	494	473	510	438	120	0,55	1,25	49	45
Sonesse 40 9/12	9	12	494	473	510	438	120	0,98	1,35	48	40

WIRING	Neutral	Phase
	Protection	Down
	Protection	Up



PRELIMINARY

